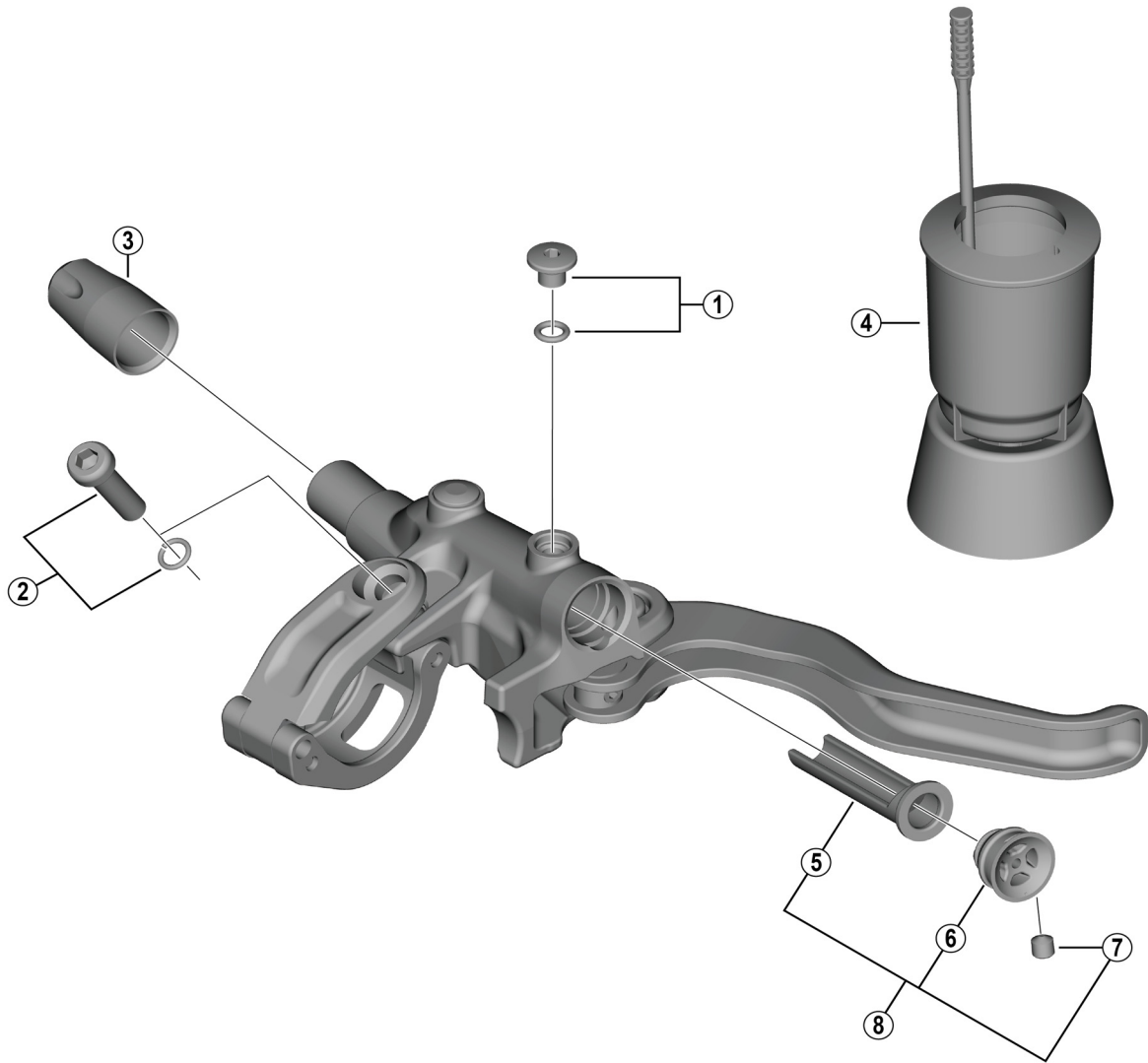


Brake Lever BL-M4100 For Disc Brake



ITEM NO.	SHIMANO CODE NO.	DESCRIPTION
1	Y8RM98010	Bleed screw and O-ring
2	Y2GR98010	Clamp screw (M5 x 18) and snap spring
3	Y8WM14000	Cover
* 4	Y13000100	TL-BR003 Funnel unit for M5 screw
* 5	Y8RM9801T	Diaphragm
* 6	Y1XW9802T	Cap
* 7	Y1XW9803T	Fixing screw
* 8	Y2GR98020	Diaphragm unit

Sep.-2022-4659A
© Shimano Inc. I

Specifications are subject to change without notice.

SHIMANO